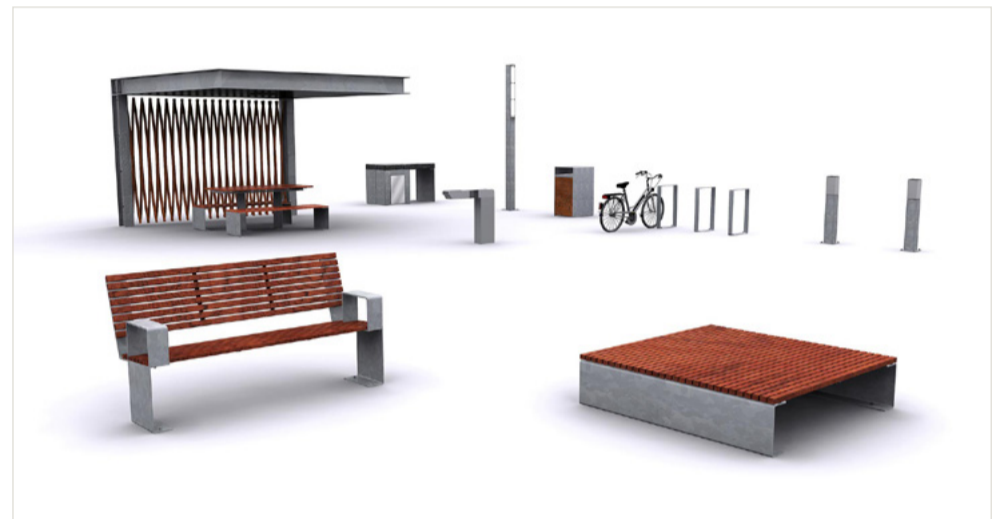
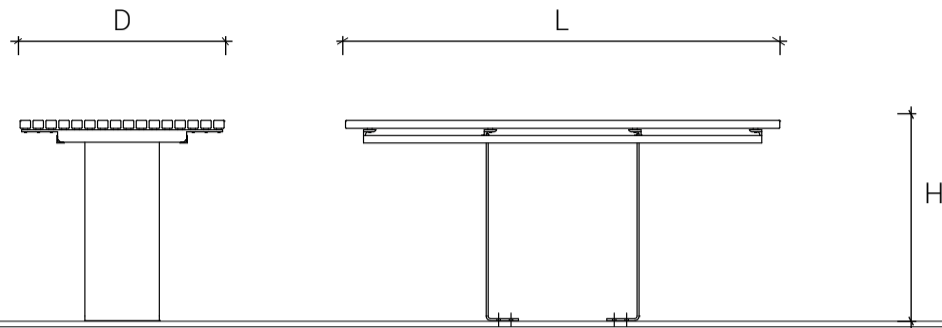


Port Table

SUPPLY BY UAP



Kylie Bickle's Port range is inspired by the Port of Brisbane's iconic shipping industry. The range features strong lines and right angles, referencing the box-like lines of shipping containers. Port is fabricated in robust materials to withstand the most demanding environmental elements.

| Product Code | Description | L (mm) | D (mm) | H (mm) |
|-----------------|---|--------|--------|--------|
| PRT03-A-MS-G-HW | Mild steel galvanised frame / hardwood slats | 1750 | 820 | 795 |
| PRT03-A-MS-T-HW | Mild steel powder coated frame / hardwood slats | 1750 | 820 | 795 |



Materials

| | |
|------------------|---|
| Frame Variations | Mild steel (galvanised) Mild steel (powder coated) Mild steel (weathered) |
| Slats | Hardwood timber Knotwood - POA Extruded aluminium - POA |
| Fixings | 6 x M12 bolts (cast-in hold down bolts, Dynabolts or chemical anchors) |

Additional Information

| | |
|-------------|---------------------------------|
| Warranty | See UAP Warranty Information |
| Maintenance | See UAP Maintenance Information |

For more information and for pricing, email supply@uapcompany.com