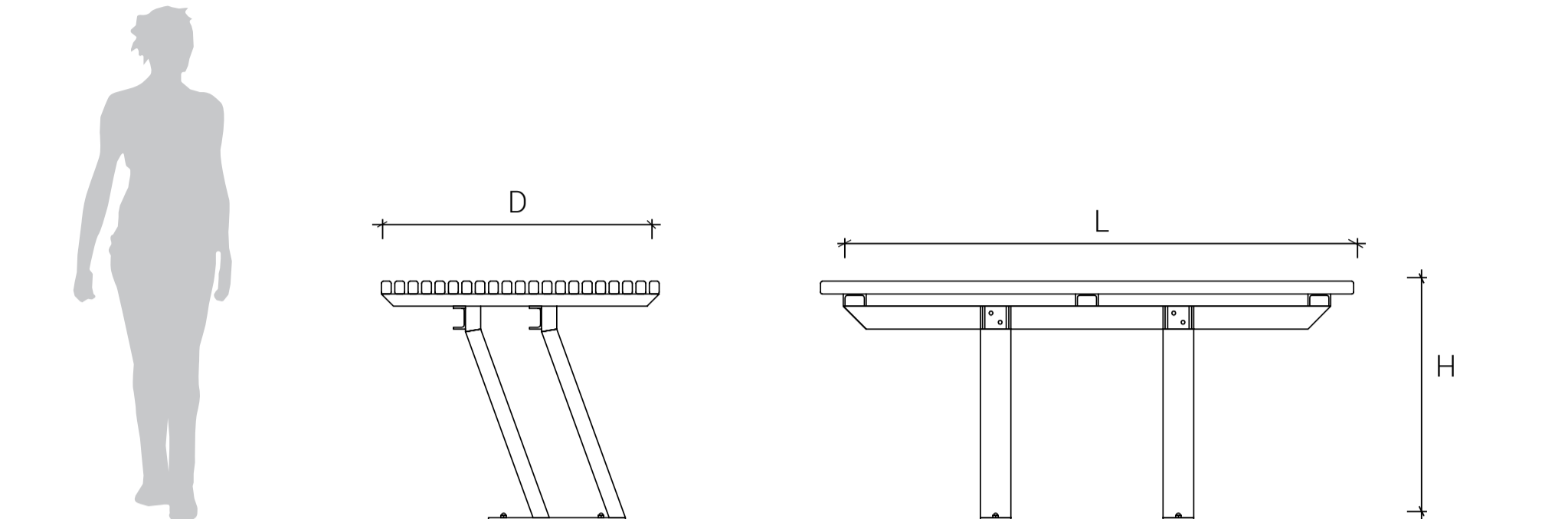


Channel Table

SUPPLY BY UAP



The Channel range uses robust 'industrial' materials refined into quality furniture. Every part of every piece of Channel furniture is functional, with careful consideration of proportion and form. The range is characterised by a strong linear element, with benches and seats resting on angled legs, creating the illusion of floating.

Product Code	Description	L (mm)	D (mm)	H (mm)
CHL03-A-MS-G-HW	Mild steel galvanised frame / hardwood timber slats	1750	910	780
CHL03-A-MS-T-HW	Mild steel powder coated frame / hardwood timber slats	1750	910	780



Product Details

Frame Variations	Mild steel (galvanised) Mild steel (powder coated)
Slats	Hardwood timber
Fixings	4 x M12 bolts (cast-in hold down bolts, Dynabolts or chemical anchors)

Additional Information

Warranty	See UAP Warranty Information
Maintenance	See UAP Maintenance Information

For more information and for pricing, email supply@uapcompany.com